

This Measuring Form is for
DO-IT-YOURSELF consumers!
For Dealer Measuring Forms
please visit the DEALER
RESOURCES or DISTRIBUTOR
RESOURCES PAGES on our site.



INGROUND LINER MEASURING INSTRUCTIONS

Before beginning to measure for your new liner, please bear in mind three things:

1. Do not **ASSUME** anything – measure it and check it out thoroughly. Often times, the pool may have slight variances from the original manufacturers' specifications.
2. Not all pools are constructed with straight lines and sharply defined changes of plane. Therefore, please note any abnormalities.
3. Always provide exact measurements. We will automatically make the liner slightly smaller than the dimensions you give us in order to allow the liner to stretch into place properly. Do not try to make extra allowances for stretch in your dimensions.

General Instructions:

- Measuring your pool is easier with at least two people.
- Draining your pool for measuring is not necessary. Measurements can easily be taken from the deck of your pool.
- Write all measurements legibly using this measuring form and make copies for your records.
- Actual pool measurements should be made even if the original pool plans are available due the fact that slight variances may have occurred during construction.
- Please provide all measurements in feet and inches and round your measurements up to the nearest whole inch.
- All required information will be recorded on the measuring form (Pages 2 and 3). The measuring form has been designed so you can tear it out of the booklet so you can easily follow the step-by-step instructions without flipping back and forth within the booklet. Simply follow these step-by-step instructions carefully and complete measurements for each step.

Materials you may need:

- Chalk
- 50' to 100' Measuring Tape
- String (For measuring empty pools.)
- Skimmer Pole

STEP 1: BASIC INFORMATION

DEALER NAME _____
 ADDRESS _____

 CITY _____
 STATE _____ ZIP _____
 PHONE _____
 FAX _____
 EMAIL _____
 PO # _____

CONSUMER NAME _____
 ADDRESS _____

 CITY _____
 STATE _____ ZIP _____
 PHONE _____
 FAX _____
 EMAIL _____

STEP 2:

LINER PATTERN:

MIL:

- 20 MIL
 28 MIL
 28/20 MIL
 FULL FLOOR PRINT (NO TILE BORDER)

STEP 3:

TYPE:

- BEADED
 OVERLAP
 - AMOUNT OF OVERLAP
 _____ INCHES

STEP 4:

CORNER TYPE:

- SQUARE
 RADIUS _____ FT./IN. _____
 DIAGONAL _____ FT./IN. _____
 OVAL

STEP 5:

	RECTANGLE	OVAL	GRECIAN	ROMAN	TRUE-L RIGHT	TRUE-L LEFT	LAZY-L RIGHT	LAZY-L LEFT
A								
B								
L	X							
M	X	X						
N	X	X						
O	X	X						
P	X	X		X	X	X		
R	X	X		X	X	X	X	X
DG.1	X	X	X					
DG.2	X	X	X					
DG.3	X	X	X	X				
DG.4	X	X	X	X	X	X		
DG.5	X	X	X	X	X	X		

STEP 6:

	STANDARD HOPPER	SPORT HOPPER	WEDGE HOPPER	WEDGE WITH SHALLOW END	COVE BOTTOM
A					
B					
C					
D					
E					
F					
G			X		
H			X	X	X
E 2	X		X	X	X
I					
J					
K					

STEP 7:

- SQUARE
- RADIUS _____ FT. _____ IN.
- DIAG. _____ FT. _____ IN.
- OVAL

STEP 8:

DOES YOUR POOL HAVE A FIBERGLASS STEP?

- YES
- NO

IF ANSWER YES, PLEASE DRAW SKETCH OF YOUR POOL AND THE STEPS LOCATION .

STEP 9:

DOES YOUR POOL HAVE VINYL COVERED STEPS?

- YES
- NO

STEP TYPE

- RECTANGLE BOWED
- CORNER

TOP STEP CORNERS

- SQUARE DIAG. _____ IN.
- RADIUS _____ IN.

TREAD & RISER MATERIAL PATTERN

- SAME AS FLOOR (STANDARD)
- WHITE NON-SKID
- BLUE NON-SKID

DOES YOUR STEP NEED POCKETS FOR RODS, FLAPS FOR NAILING OR BEADING TO HOLD EACH STEP IN PLACE? YES NO

- ROD POCKETS: YES NO
IF YES, WHAT IS THE DIAMETER OF THE ROD _____ IN.
- NAILER FLAPS: YES NO
- BEADING SEALED TO BACK OF EACH STEP: YES NO

STEP LOCATION

- CENTER
- OTHER (DRAW STEP LOCATION)

IS YOUR STEP SET BACK?

- YES
 - NO
- IF YES, PLEASE PROVIDE "K" MEASUREMENT.

IS SETBACK STRAIGHT OR ANGLED?

- STRAIGHT
 - ANGLED
- IF ANGLED, PLEASE PROVIDE "L" MEASUREMENT.

A	
B	
C	
D	
E	
F	
G	
H	
I	
J	
K*	
L*	

* IF APPLICABLE

MEASURING DIRECTIONS

STEP 1:

- Provide Retailer and Consumer contact information in STEP 1 on the measuring form.

STEP 2:

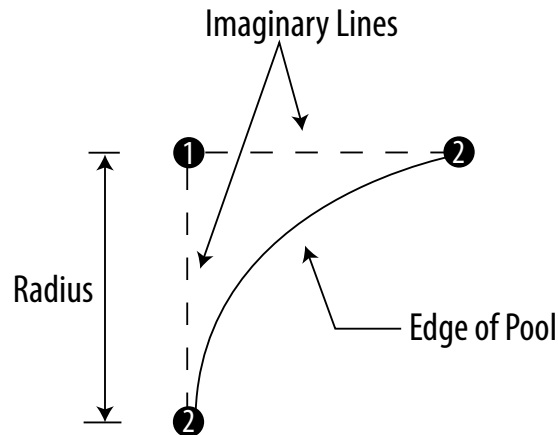
- Indicate the name of the liner pattern you wish to purchase along with the mil thickness in STEP 2 on the measuring form.

STEP 3:

- Select the type of liner you wish to purchase. If you have a beaded liner, select “Beaded”, if you have an overlap liner, select “Overlap” and indicate the amount of overlap required in STEP 3 on the measuring form.
 1. Beaded - liner will have a bead that fits into a bead track on your pool.
 2. Overlap - liner will fit over the top of the pool wall.

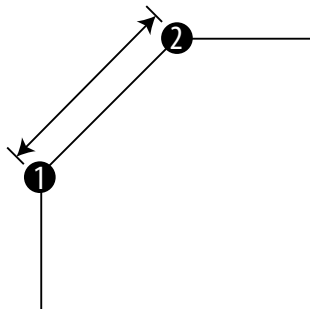
STEP 4:

- Select the type of corners for your pool. Square corners and oval pools do not require additional measurements and you can simply check the appropriate box in STEP 4 on the measuring form.
- Measuring for Radius Corners:
 - Radius corners must be squared before measuring.
 - Per below diagram, use two straight edges to extend the side walls to form an imaginary square corner and mark where the two lines intersect as Point 1. Measure from the imaginary corner (Point 1) to Point 2 (the start of the straight wall). Record this measurement as the Radius in **STEP 4** on the measuring form.



- Measuring Diagonal Corners:

- Per below diagram, measure length of diagonal corner and record this measurement as the Diagonal in Step 4 on the measuring form.



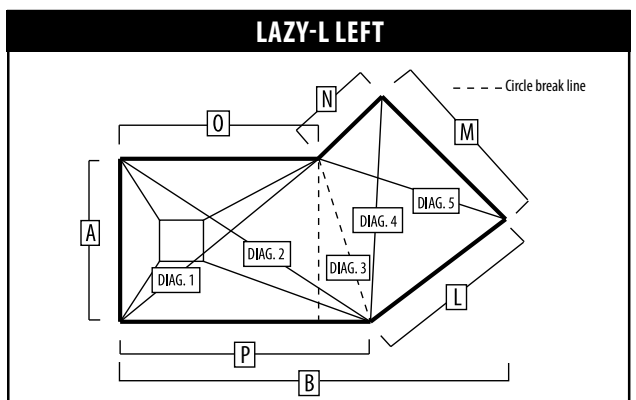
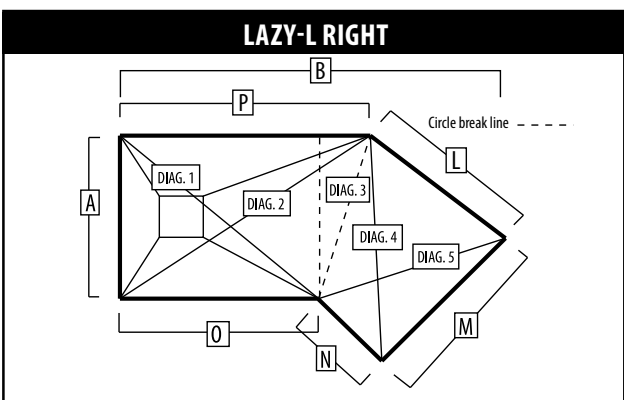
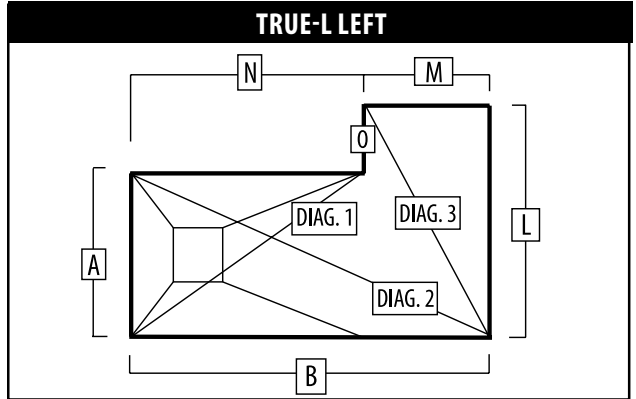
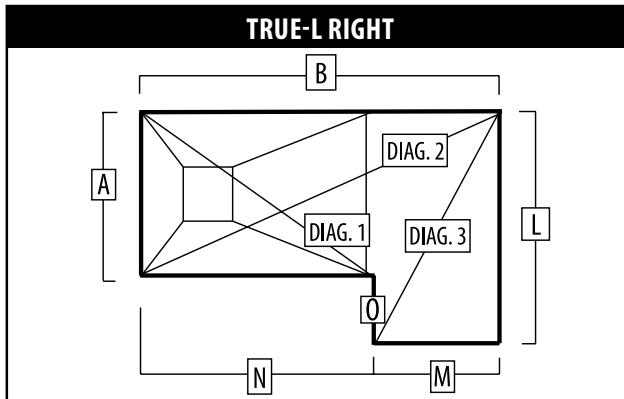
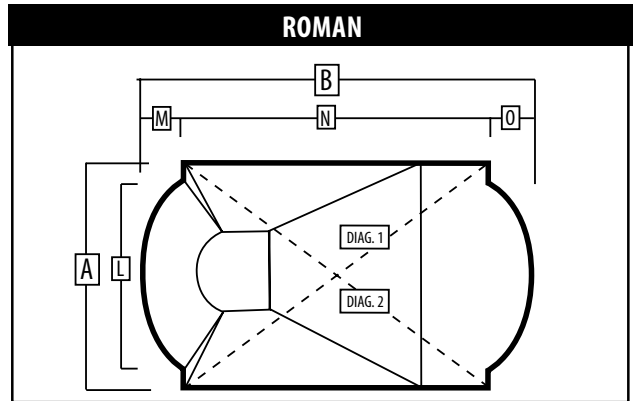
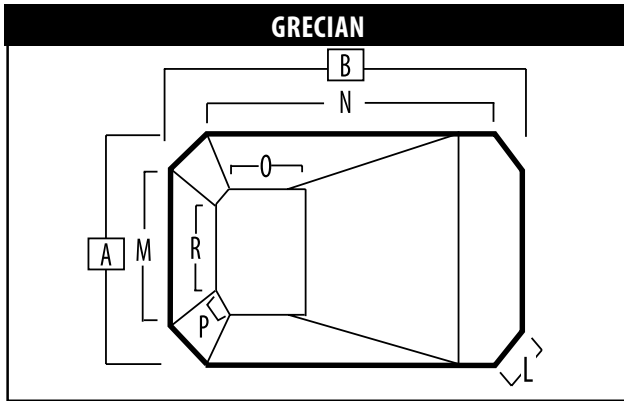
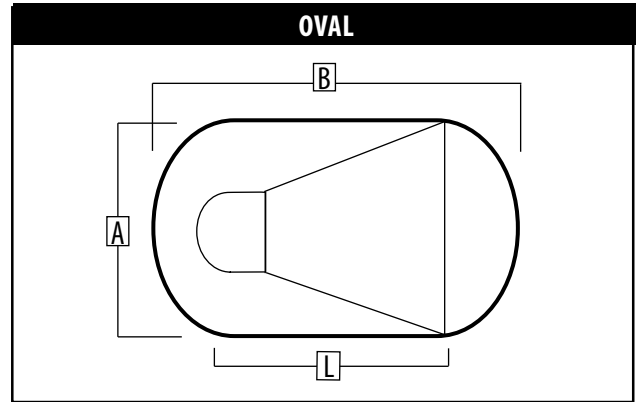
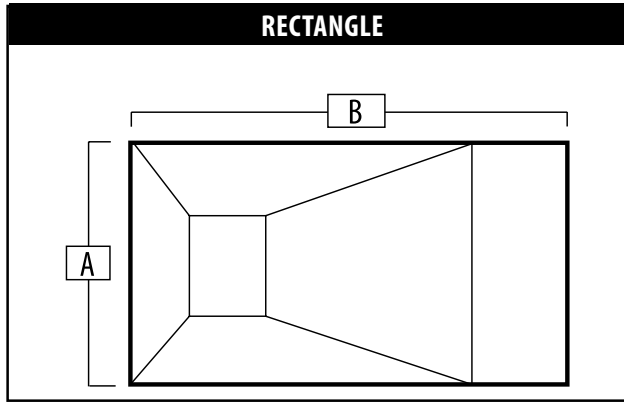
**** Note: If you have more than one type of corner on your pool (such as with a Lazy-L pool), please include a sketch of your pool indicating each corner type and the appropriate measurement along with the rest of the measuring form.

MEASURING DIRECTIONS

STEP 5:

- Choose your pool shape from the diagrams below. If your pool shape is not indicated below, you will need to complete the Custom Measuring form.
- If you have a True-L or Lazy-L, note that the direction of the L is determined by **standing at the deep end, looking toward the shallow end.**
- Record the required measurements for your pool shape in STEP 5 on the measuring form. * Be sure to record the measurements in the corresponding column of your pool type.

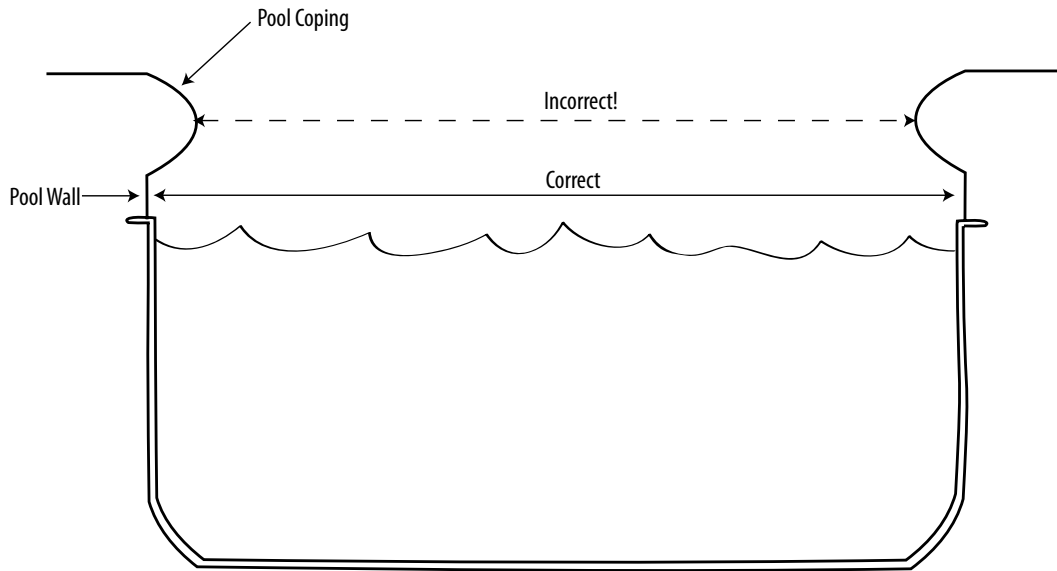
** See additional tips on next page for completing STEP 5 measurements.*



MEASURING DIRECTIONS

STEP 5: CONTINUED

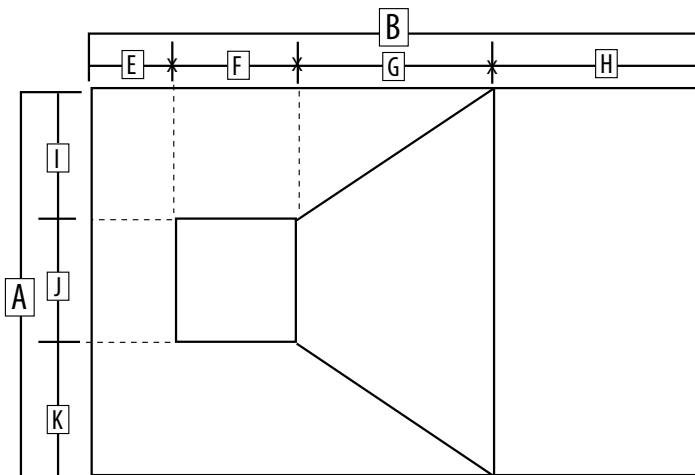
- Be sure that the length (A) and the width (B) measurements are made at the pool wall, NOT at the edge of the coping (the edge of the pool deck). The pool coping usually extends beyond the pool wall and will give you an incorrect length and width measurement. See illustration below.



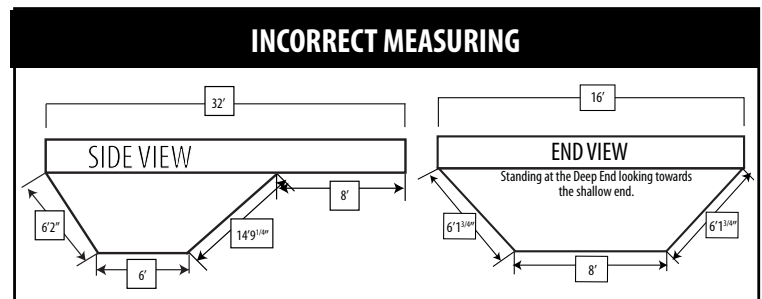
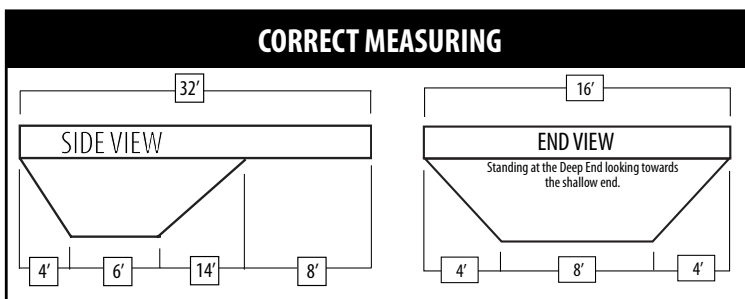
STEP 6:

- Choose your hopper type from the diagrams on NEXT page and record all required measurements in STEP 6 on the measuring form. Be sure to record your measurements in the corresponding column of your hopper type.
- Measurements for Hopper should be taken from deck of pool. See illustration below for marking deck to take hopper measurements.*

Example:

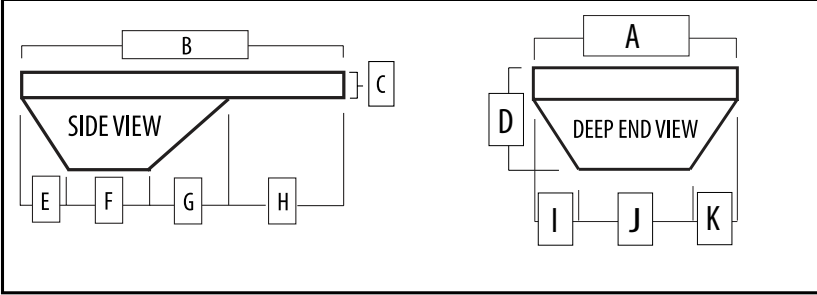


Note: Simply make a chalk mark on the deck at each transition point and measure the distance between each point and record the measurement in STEP 6 on the measuring form.

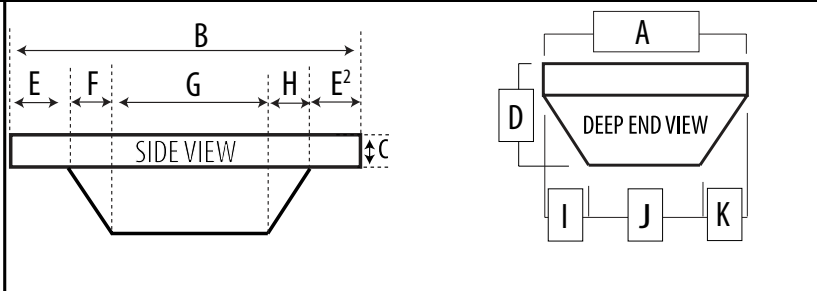


MEASURING DIRECTIONS

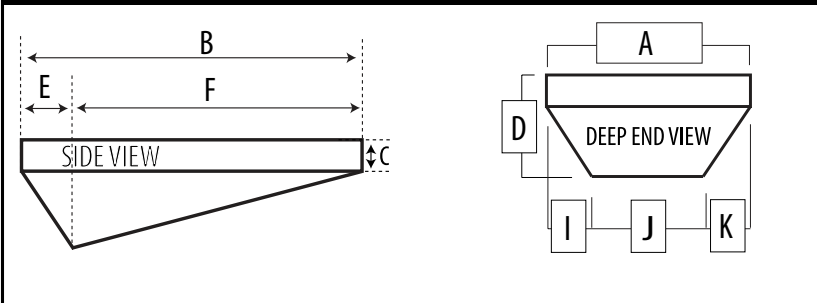
STANDARD HOPPER



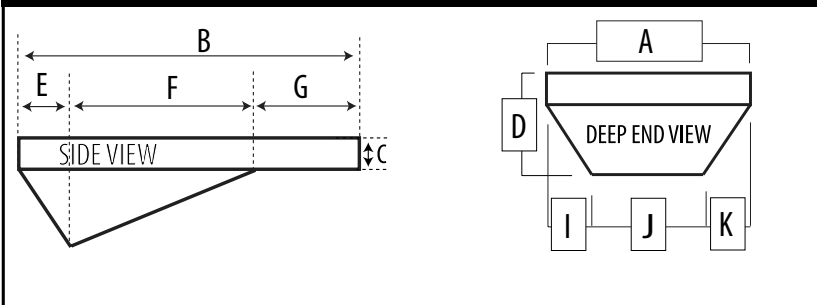
SPORT HOPPER



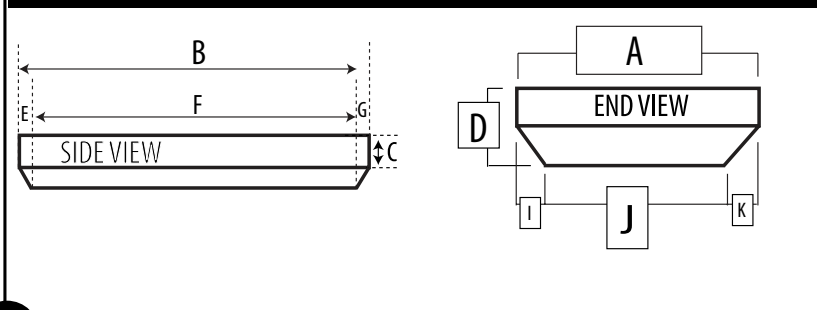
WEDGE HOPPER



WEDGE WITH SHALLOW END



COVE BOTTOM



STEP 6: CONTINUED

- Check your measurement to ensure that they add up properly according to your hopper type.

→ Standard hopper:

$$I + J + K = A \text{ and } E + F + G + H = B$$

→ Sport hopper:

$$I + J + K = A \text{ and } E + F + G + H + E^2 = B$$

→ Wedge hopper:

$$I + J + K = A \text{ and } E + F = B$$

→ Wedge with Shallow End:

$$I + J + K = A \text{ and } E + F + G = B$$

→ Cove Bottom:

$$I + J + K = A \text{ and } E + F + G = B$$

Note: When taking shallow end depth (C) and deep end depth (D), be sure to measure from the bottom of the pool floor to the bead receiver (for beaded liners) OR to the board where the liner is nailed or stapled (for overlap liners). Do not measure to the top of the pool coping, your measurements will be incorrect.

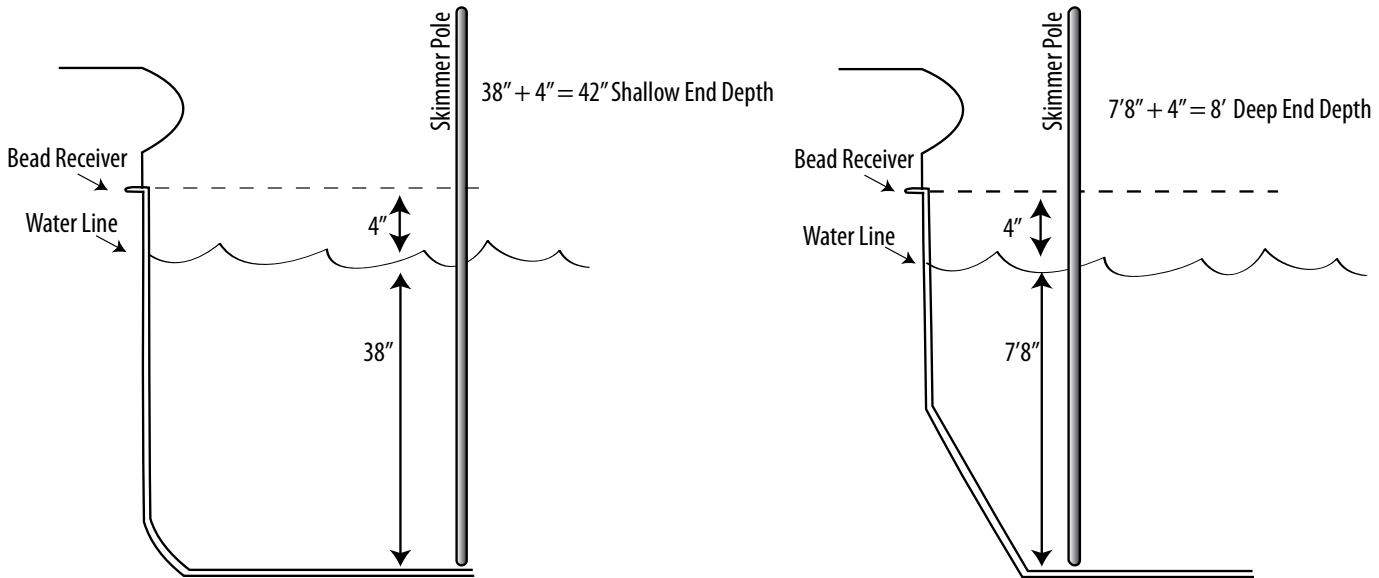
**See instructions for measuring pool depth on next page.*

MEASURING DIRECTIONS

STEP 6: CONTINUED

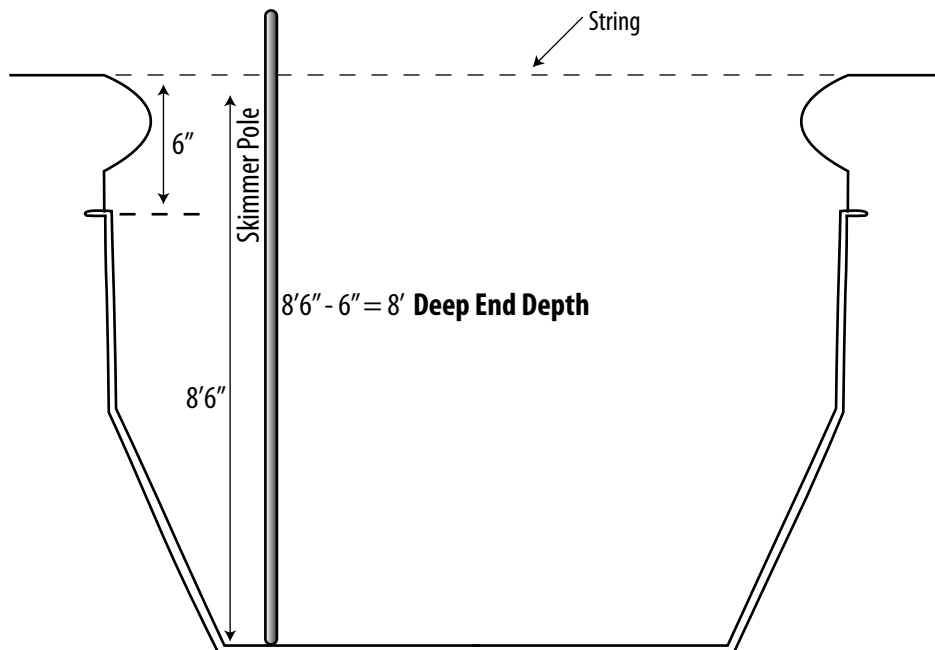
Measuring depth of pool full of water:

- Shallow end measurement: Hold a measuring stick (skimmer pole works well) vertically at the shallow end of the pool and note the depth of the water. Next, measure the distance from the water line to the bead receiver. Add these two measurements together to get your finished shallow end depth.
- Deep end measurement: Hold a measuring stick (skimmer pole works well) vertically at the corner of the hopper pad and note the depth of the water. Next, measure the distance from the water line to the bead receiver. Add these two measurements together to get your finished deep end depth. Do not measure from the center of the hopper pad as it may be deeper and consequently cause wrinkles in your new liner.



Measuring depth on an empty pool:

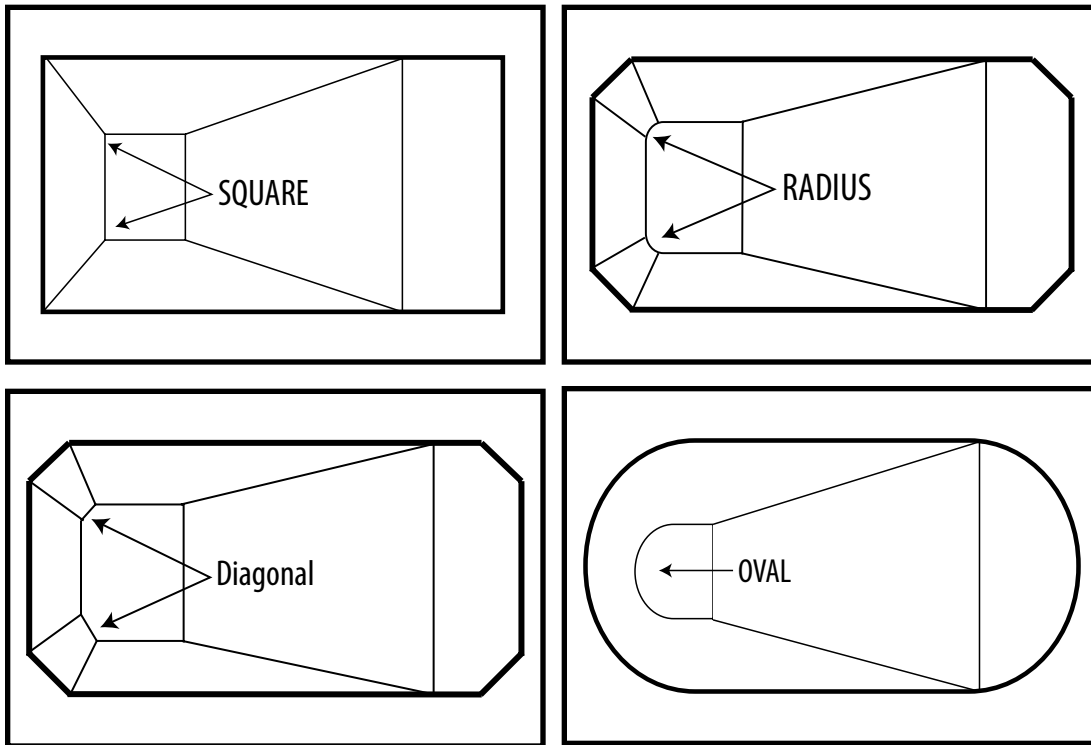
- Deep end measurement: Run a string across the pool, and hold a measuring stick (skimmer pole works well) vertically at the corner of the hopper pad. Record the measurement from the string to the bottom of the measuring stick. Now SUBTRACT the distance from the top of the pool to the bead receiver. Do not measure from the center of the hopper pad as it may be deeper and consequently cause wrinkles in your new liner. Repeat this same process in the shallow end.



MEASURING DIRECTIONS

STEP 7:

- Choose your Hopper pad type from the diagrams below.
 - If Hopper pad has Radius or Diagonal corners, you will need to provide the proper measurement. Refer to instructions in STEP 4 for determining Radius and Diagonal corner measurements.
- Record radius or diagonal corner measurements in STEP 7 on the Measuring Form.



STEP 8:

- Does your pool have a fiberglass step? If yes, please indicate location of step. Otherwise, wall seam will be placed in the center of the shallow end of the pool.

STEP 9:

- Does your pool have a vinyl covered step? If yes, please indicate type of step (Rectangle, Corner or Bowed). Please provide measurements per diagram below and completely answer all questions pertaining to your steps in STEP 9 on the measuring form..

